



GO BEYOND

PRATT & WHITNEY

GTF

GEARED TURBOFAN

COMMERCIAL ENGINES

PW1200G

**POWERING THE
MITSUBISHI REGIONAL JET**

A UNITED TECHNOLOGIES COMPANY



PRATT & WHITNEY
GTF

COMMERCIAL ENGINES

PW1200G

POWERING THE MITSUBISHI REGIONAL JET

The PW1200G engine is the exclusive power plant for the Mitsubishi Regional Jet. The proven geared architecture combined with an advanced engine core enables the PW1200G engine to deliver significant economic and environmental benefits, without compromise.

The PW1200G is part of the service-proven Pratt & Whitney GTF™ family that has been flying efficiently with its proven architecture since 2016 and delivers a next-generation dependable engine for the innovative design of the MRJ.

**DOUBLE
DIGIT**

**REDUCTION IN
FUEL CONSUMPTION**

UP TO

40%

**REDUCTION IN
NOISE FOOTPRINT**

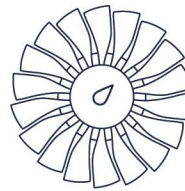
UP TO

40%

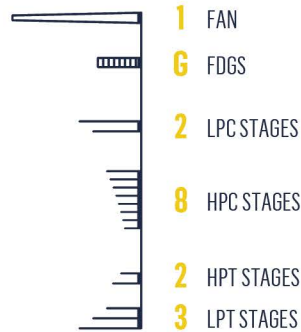
**REDUCTION IN
NO_x EMISSIONS**

FROM CAEP/6

56"
Fan Diameter

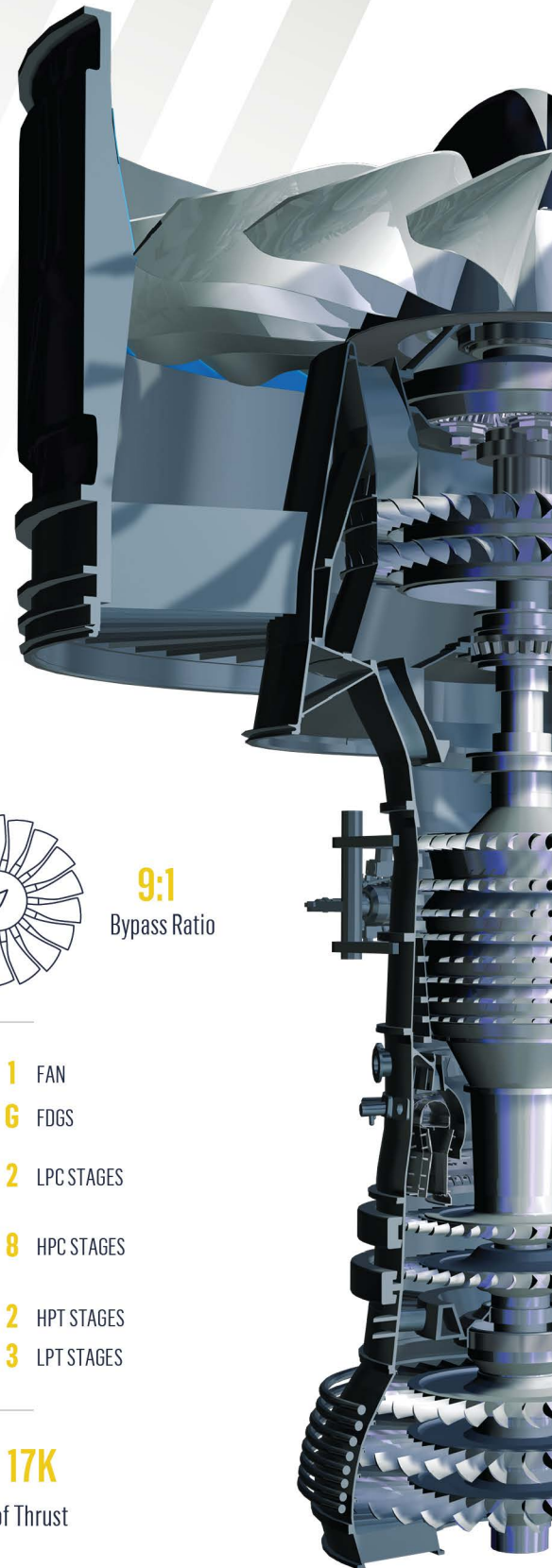


9:1
Bypass Ratio



15K - 17K

Pounds of Thrust



CONTACT US

USA: 860-565-9600

ISSUED: JULY 2018

pwgtf.com